

# Ceramic brackets

[www.forestadent.com](http://www.forestadent.com)

 **FORESTADENT**<sup>®</sup>  
GERMAN PRECISION IN ORTHODONTICS

# Quicklear®



- 1 Wide clip for excellent transmission of rotation, angulation, and torque.
- 2 Four rounded contact ribs in the slot reduce binding and notching effects.
- 3 Body made from translucent ceramic with rounded bracket and slot edges ensures good intraoral comfort and less friction.
- 4 The catch function simplifies opening the interactive clip from gingival
- 5 Anatomically adapted, inverse hook-style base ensures optimal mechanical hold and reduces the risk of enamel fractures.

Quicklear® brackets are available in the following prescriptions:

- » McLaughlin/Bennett/Trevisi
- » Roth
- » PhysioDynamicSystem (Roncone)
- » FACE

# TruKlear®

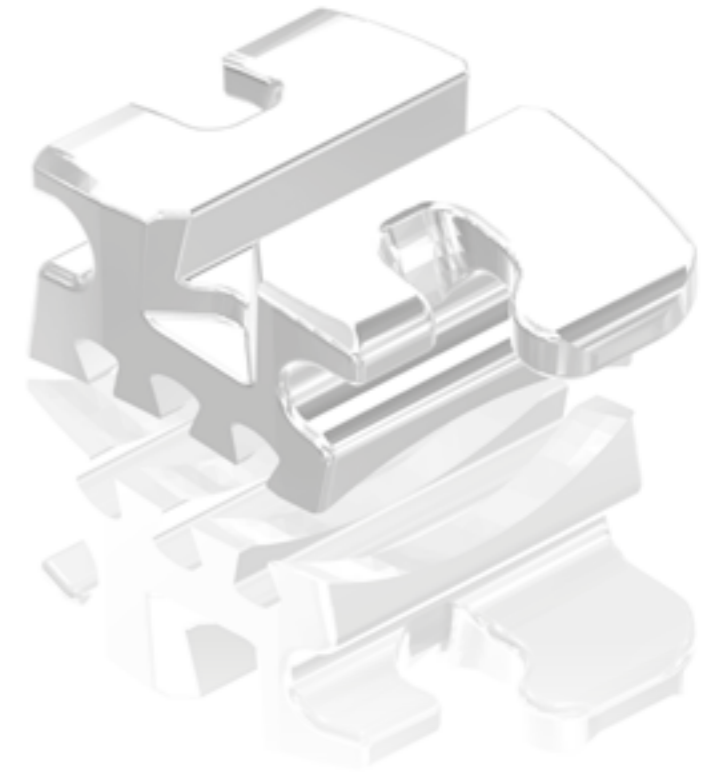


- 1 Trapezoidal locking slider that widens towards the slot made from discoloration-free ceramic for good rotational control.
- 2 Rounded slot inlets and four contact ribs in the slot reduce binding and notching effects.
- 3 The four-wall slot is designed to be particularly low to closely guide archwires of .025" in height to ensure good transmission of torque and rotation.
- 4 The slider has a metal-free holding mechanism – for optimal aesthetics even if patients are sensitive to nickel.
- 5 Inverse hook-style base ensures optimal mechanical retention and reduces the risk of enamel fractures.

TruKlear® brackets are available in the following prescriptions:

- » McLaughlin/Bennett/Trevisi
- » Roth

# GLAM®



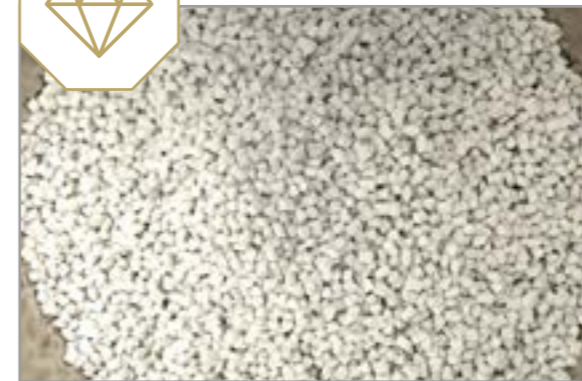
- 1 Optimal surface with low friction values.
- 2 Gentle on tooth-colored archwires due to rounded slot edges.
- 3 Absolutely inconspicuous in the mouth, as it is made of non-discoloring ceramic with high translucency and a matt, non-reflective surface
- 4 Large wings enable easy ligation.
- 5 Ideal in combination with FORESTADENT's super-flat 2D® lingual brackets (e.g. where there is a pronounced overbite).

GLAM® brackets are available in the following prescriptions:

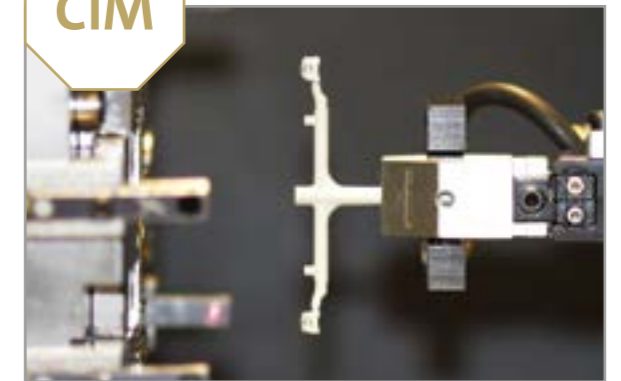
- » Roth
- » MB 5.0



Polycrystalline ceramic structure



Ceramic injection molding



Paul's Tool for splinter-proof debonding



Can be combined with FORESTADENT metal brackets



# Archwires

<p><b>BioStarter® / BioTorque®</b></p> <p><b>FEATURES</b></p> <ul style="list-style-type: none"> <li>» Thermoactive</li> <li>» River Finish Gold</li> <li>» NiTi</li> <li>» Plasma treatment</li> </ul> <p><b>PREMIUM ARCHWIRES*</b></p>	<p><b>Titanol® Budget</b></p> <p><b>FEATURES</b></p> <ul style="list-style-type: none"> <li>» Thermoactive</li> <li>» NiTi</li> </ul> <p><b>STANDARD ARCHWIRES</b></p>	<p><b>Titanol® Low Force</b></p> <p><b>FEATURES</b></p> <ul style="list-style-type: none"> <li>» Superelastic</li> <li>» River Finish Gold</li> <li>» NiTi</li> </ul> <p><b>PREMIUM ARCHWIRES*</b></p>	<p><b>Titanol® SE</b></p> <p><b>FEATURES</b></p> <ul style="list-style-type: none"> <li>» Superelastic</li> <li>» NiTi</li> </ul> <p><b>STANDARD ARCHWIRES</b></p>
--	--	--	--

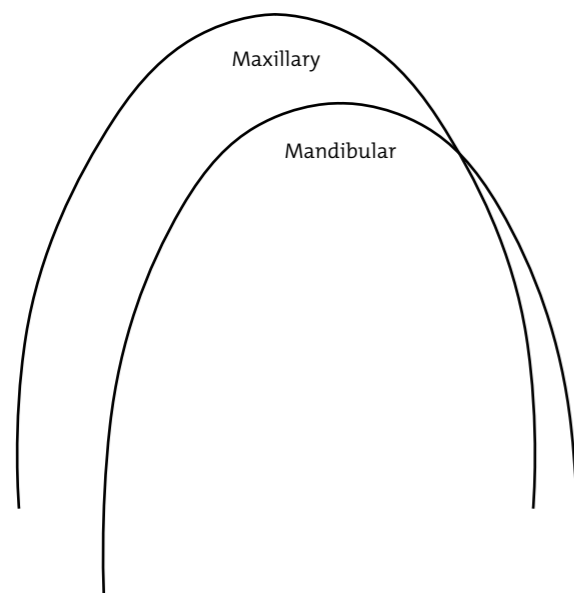
## \*River Finish Gold



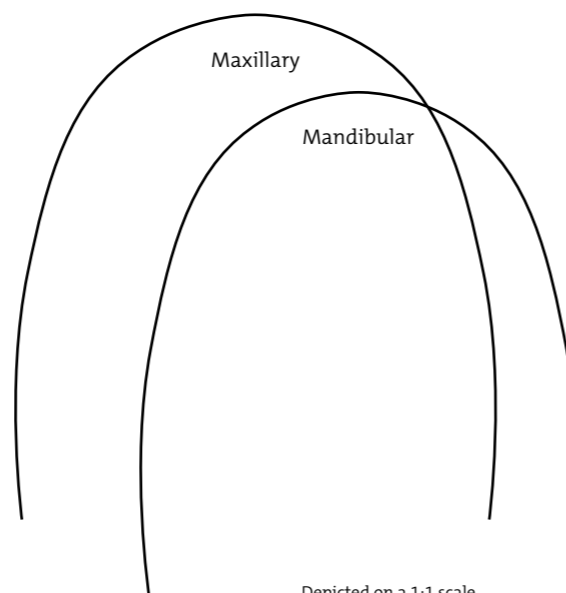
You don't have to specialize in surface polishing for generations to make archwires, but it is enormously helpful. Inspired by the smooth surfaces of river stones, FORESTADENT premium archwires with the River Finish Gold surface undergo a unique treatment process. This results in ultra-smooth archwires with little friction – approx. 30% less friction than standard surfaces. The best starting point for perfect treatment results.

## The FORESTADENT archwire shapes

### Euro Smile shape



### Straight Arch shape



## BioCosmetic®

BioCosmetic® archwires are, in contrast to conventional aesthetic archwires, sheathed in a flexible, Teflon-based tube. This is more stable than powder-based coatings. The white tube conceals superelastic NiTi archwires.

BioCosmetic® archwires are available in the Straight Arch shape in the following dimensions: .017" | .019" | .016" x .016" | .016" x .022" | .018" x .025"



## Titanol® Cosmetic

Titanol® Cosmetic archwires are aesthetic, superelastic archwires with a Teflon-based powder coating. The tooth-colored coating is .002" thick.

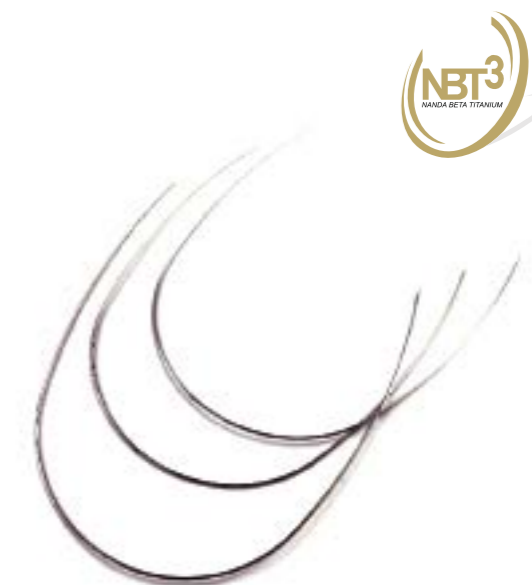
Titanol® Cosmetic archwires are available in the Straight Arch shape in the following dimensions: .014" | .016" | .018" | .020" | .018" x .018" | .018" x .024"



## Nanda BT3 Beta Titanium

Nanda BT3 archwires are the latest generation of beta titanium wires. They provide outstanding properties, such as excellent pliability and bendability, a 60–65% lower elastic modulus than steel, a specially polished surface for improved sliding mechanics, and are suitable for patients with nickel allergy.

Nanda BT3 archwires are available in the following dimensions: .016" x .022" | .016" x .025" | .017" x .025" | .019" x .025" | .021" x .025"





# Bands and buccal tubes

## Molar bands



**W-Fit shape (1st+2nd molars)**

- Classic shape
- Medium-hard band material



**Dura-Fit® shape (1st molar)**

- Pronounced anatomical contour
- Hard band material
- Inside of band laser-etched for improved retention



**Lingual cleats**

- With stop notch
- Open
- With / without hooks – different versions
- E.g. for palatal bar and quad helix

- 1 A perfect anatomical fit thanks to the lingual and buccal adaptation and notches.
- 2 Laser marking.
- 3 Easy placement thanks to the approximately reduced band thickness.
- 4 Available with or without lingual seating eyelet.
- 5 Statistically calculated assortments (100, 200, 400 bands) in up to 32 sizes.



### Prewelding service

All of the buccal tubes, lingual cleats, and brackets in the Roth, Standard Ricketts, and Standard Edgewise prescriptions in this catalog can be prewelded on to FORESTADENT bands free of charge. Custom welded products are non-returnable. Third-party products can be prewelded without the warranty service at an additional cost.

## Tulip buccal tubes

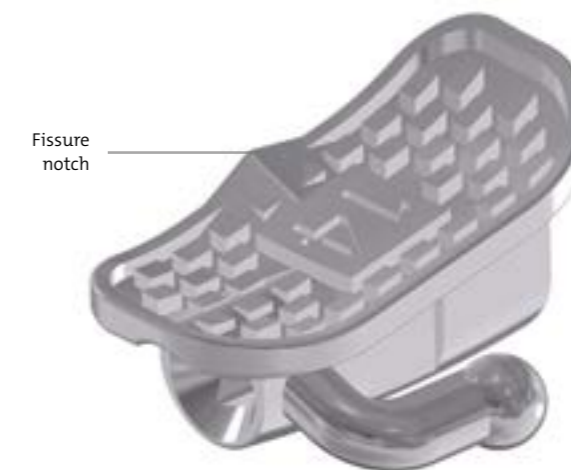


The Tulip buccal tubes owe their name to the tulip-shaped entrance funnel. They have been designed with especially large dimensions to allow quick and easy insertion of the archwires. Your patients will appreciate the extremely flat design, which ensures excellent comfort.

## Comfort Line 3D buccal tubes

Comfort Line 3D buccal tubes are our tried-and-tested classic products with an optimized, small, and anatomically shaped pad. They are manufactured in a single piece, including the bondable pad, by metal injection molding (MIM) and are also suitable for patients with nickel allergies. The smart design of the 3D base ensures high bond strength and at the same time allows for safe and comfortable debonding. Some of them are available with a fissure notch or on an adaptive MIM pad. This allows you to adapt the bondable pad to the tooth anatomy.

## Comfort Line 3D



Fissure notch



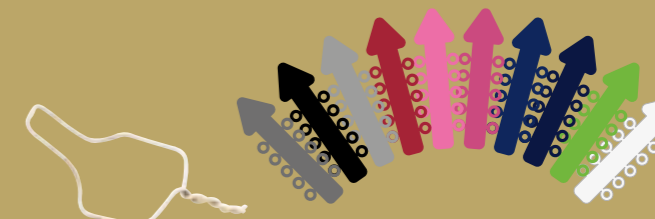
## Bondable pads

Bondable pads are available in “Small”, “Large”, and “Big Foot” versions. Depending on the buccal tubes and intended use, you can also select your own combinations upon request.



- 1 Small: E.g. for second molars or crowns that have not fully erupted
- 2 Large: Standard for double and triple buccal tubes
- 3 Big Foot: Extra-large pad that can easily be adapted to the tooth contour

You can find ligatures, elastics, chains, instruments, Reliance products, and much more in our catalog.



## **FORESTADENT**

Bernhard Förster GmbH  
Westliche Karl-Friedrich-Str. 151  
75172 Pforzheim (Germany)  
Phone: +49 (0) 7231 459-0  
Fax: +49 (0) 7231 459-102  
[www.forestadent.com](http://www.forestadent.com)  
[info@forestadent.com](mailto:info@forestadent.com)

**FORESTADENT**<sup>®</sup>  
GERMAN PRECISION IN ORTHODONTICS