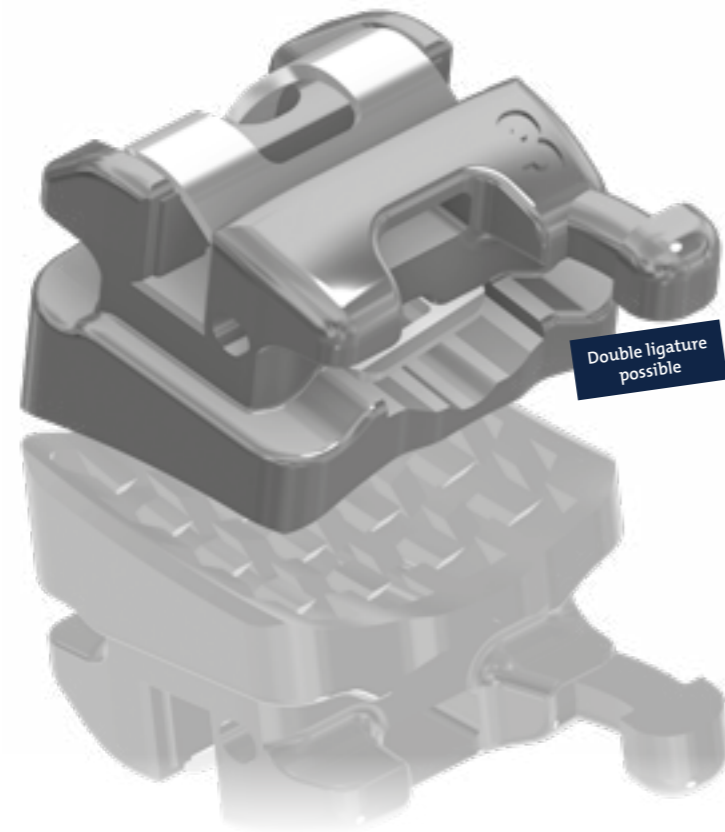


Metal brackets

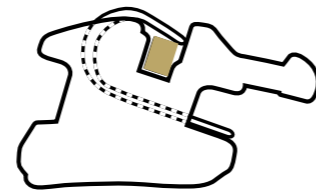
www.forestadent.com

**FORESTADENT**[®]
GERMAN PRECISION IN ORTHODONTICS

BioQuick®

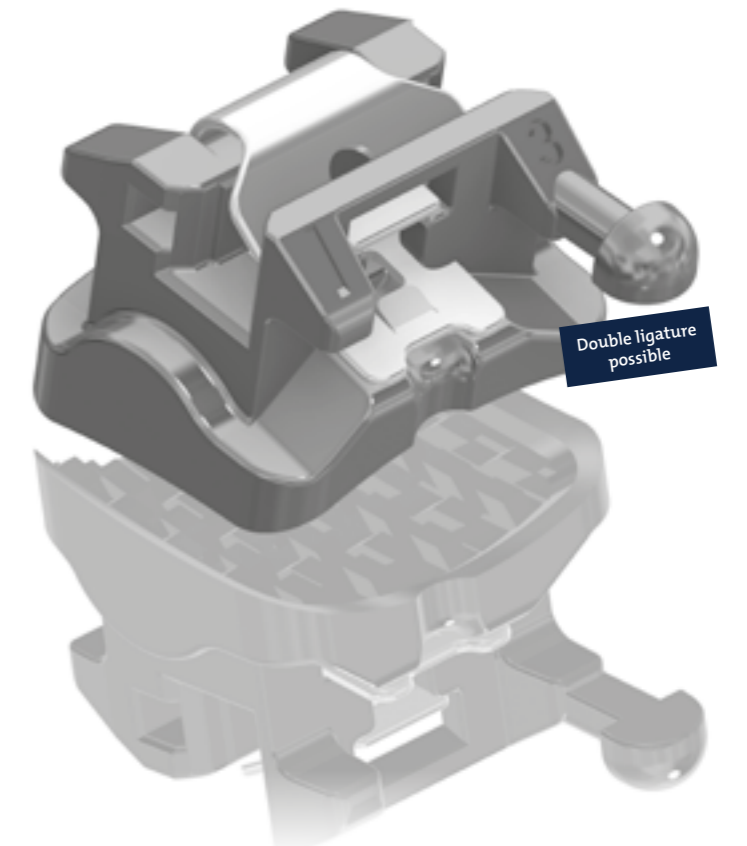


- 1 Clip with large vestibular opening that also enables the use of scalers or explorers.
- 2 .015" auxiliary slot for use of auxiliaries or double archwire mechanics.
- 3 Contact ribs over the entire slot height for precise torque transmission.
- 4 The surrounding pad edge reduces adhesive overflow and is mesio-distally chamfered in order to facilitate debonding.
- 5 One-piece bracket body with tried-and-tested hook-style base. When you remove the brackets, the majority of the adhesive remains on the base and does not adhere to the tooth.

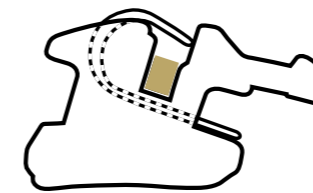


Active = BioQuick®
Remains passive up to .016" x .022",
active from .014" x .025"

BioPassive®

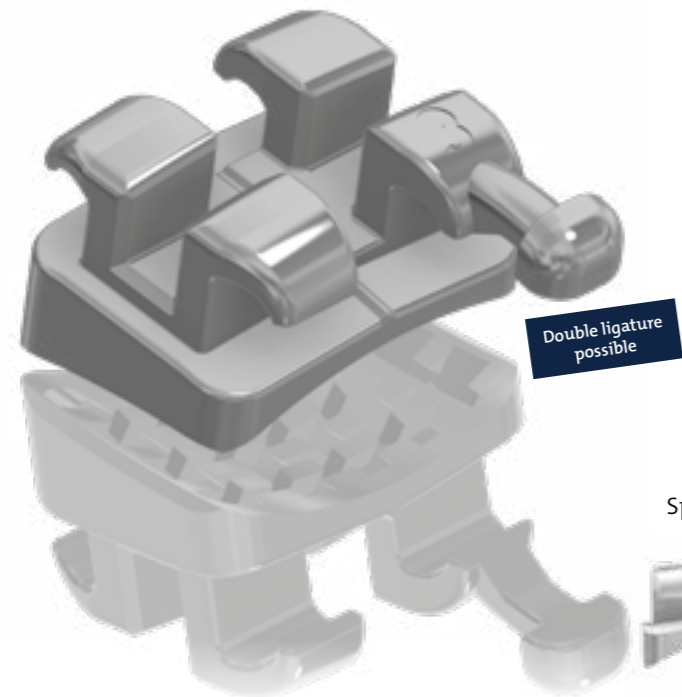


- 1 Deeper-lying slot and funnel-shaped entrance enable passive sliding mechanics, while retaining the advantages of an active clip.
- 2 .016" x .016" auxiliary slot for use of auxiliaries or double archwire mechanics.
- 3 Strong, wide clip that can be opened from the vestibular and gingival.
- 4 The surrounding pad edge reduces adhesive overflow.
- 5 One-piece bracket body with tried-and-tested hook-style base. When you remove the brackets, the majority of the adhesive remains on the base and does not adhere to the tooth.

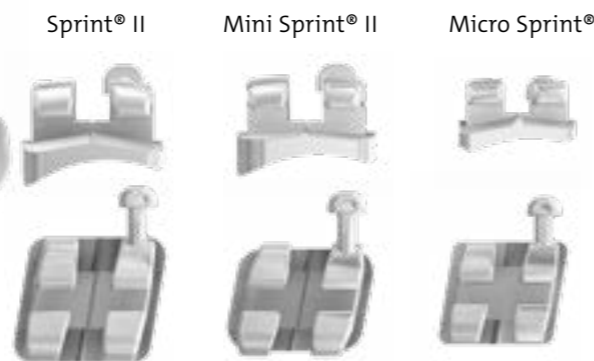


Passive = BioPassive®
Remains passive up to
.017" x .025" or .021" x .025"

Sprint®



- 1 Available in three sizes: Sprint® II, Mini Sprint® II, and Micro Sprint®.
- 2 Continuous mid line marking for easy positioning.
- 3 The surrounding pad edge reduces adhesive overflow and is mesio-distally chamfered in order to facilitate debonding.
- 4 Low profile for good intraoral comfort and aesthetics.
- 5 One-piece bracket body with tried-and-tested hook-style base. When you remove the brackets, the majority of the adhesive remains on the base and does not adhere to the tooth.



2D® Lingual



- 1 Clips allow secure archwire insertion from occlusal.
- 2 Extremely flat design. Height is 1.3–1.65 mm depending on version.
- 3 Clips are easy to open thanks to chamfered edges.
- 4 Easy direct bonding without lab support.
- 5 Allows for invisible hybrid treatments in combination with aligners



Mini Ants
For improved rotational control if there is severe crowding



Lingual tubes
With a larger hook for applying intermaxillary traction

You can find further versions of the 2D® lingual brackets in the catalog.

Archwires

BioStarter® / BioTorque® FEATURES » Thermoactive » River Finish Gold » NiTi » Plasma treatment PREMIUM ARCHWIRES*	Titanol® Budget FEATURES » Thermoactive » NiTi STANDARD ARCHWIRES	Titanol® Low Force FEATURES » Superelastic » River Finish Gold » NiTi PREMIUM ARCHWIRES*	Titanol® SE FEATURES » Superelastic » NiTi STANDARD ARCHWIRES
--	--	--	--

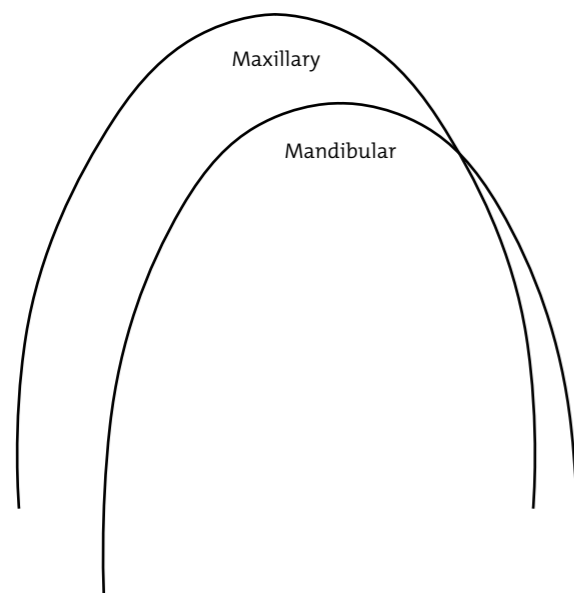
*River Finish Gold



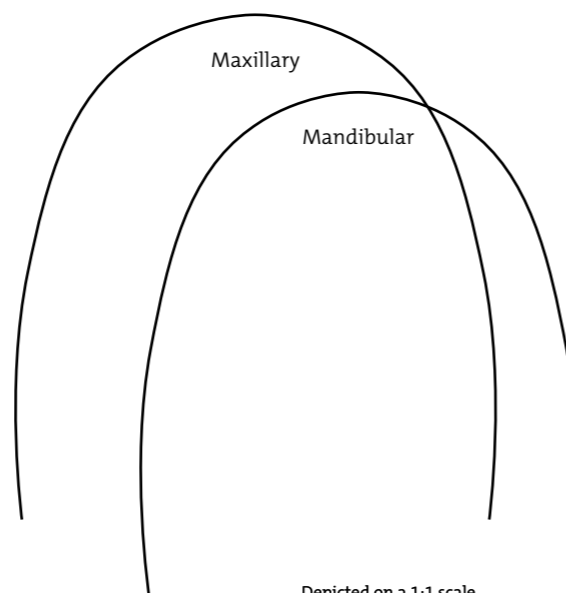
You don't have to specialize in surface polishing for generations to make archwires, but it is enormously helpful. Inspired by the smooth surfaces of river stones, FORESTADENT premium archwires with the River Finish Gold surface undergo a unique treatment process. This results in ultra-smooth archwires with little friction – approx. 30% less friction than standard surfaces. The best starting point for perfect treatment results.

The FORESTADENT archwire shapes

Euro Smile shape



Straight Arch shape

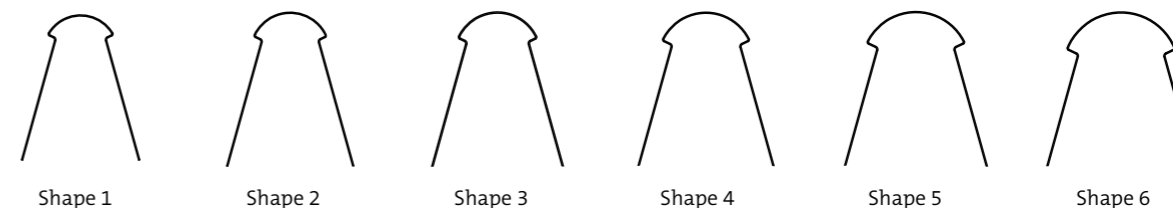


Depicted on a 1:1 scale

BioLingual®

BioLingual® are pre-formed mushroom-shaped archwires for the lingual technique. They have the same properties as our BioStarter® / BioTorque® archwires (see left).

BioLingual® archwires are available in six different shapes and in dimensions of .012" | .014" | .016".



Nanda BT3 Beta Titanium

Nanda BT3 archwires are the third generation of titanium molybdenum wires. They provide outstanding properties, such as excellent pliability and bendability, a 60–65% lower elastic modulus than steel, a specially polished surface for improved sliding mechanics, and are suitable for patients with nickel allergy.

Nanda BT3 archwires are available in the following dimensions: .016" x .022" | .016" x .025" | .017" x .025" | .019" x .025" | .021" x .025"



You can find further archwires, such as DuoForce®, Nanda Braided Copper NiTi, Spee, steel, FORESTAFLEX, and the MB 5.0 archwires in their specific shapes in our catalog.

Bands and buccal tubes

Molar bands



W-Fit shape (1st+2nd molars)

- Classic shape
- Medium-hard band material



Dura-Fit® shape (1st molar)

- Pronounced anatomical contour
- Hard band material
- Inside of band laser-etched for improved retention



Lingual cleats

- With stop notch
- Open
- With / without hooks – different versions
- E.g. for palatal bar and quad helix

- 1 A perfect anatomical fit thanks to the lingual and buccal adaptation and notches.
- 2 Laser marking.
- 3 Easy placement thanks to the approximately reduced band thickness.
- 4 Available with or without lingual seating eyelet.
- 5 Statistically calculated assortments (100, 200, 400 bands) in up to 32 sizes.



Prewelding service

All of the buccal tubes, lingual cleats, and brackets in the Roth, Standard Ricketts, and Standard Edgewise prescriptions in this catalog can be prewelded on to FORESTADENT bands free of charge. Custom welded products are non-returnable. Third-party products can be prewelded without the warranty service at an additional cost.

Tulip buccal tubes

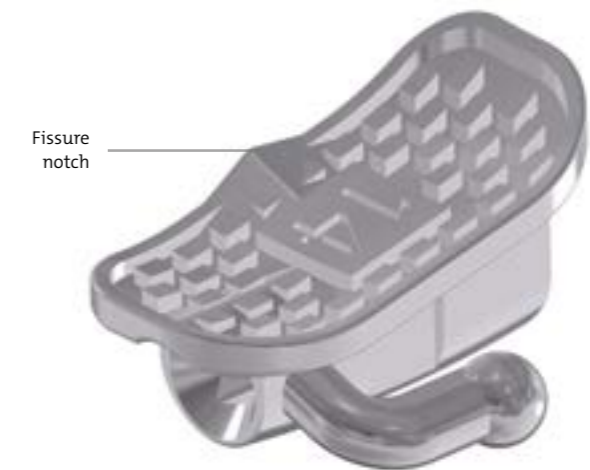


The Tulip buccal tubes owe their name to the tulip-shaped entrance funnel. They have been designed with especially large dimensions to allow quick and easy insertion of the archwires. Your patients will appreciate the extremely flat design, which ensures excellent comfort.

Comfort Line 3D buccal tubes

Comfort Line 3D buccal tubes are our tried-and-tested classic products with an optimized, small, and anatomically shaped pad. They are manufactured in a single piece, including the bondable pad, by metal injection molding (MIM) and are also suitable for patients with nickel allergies. The smart design of the 3D base ensures high bond strength and at the same time allows for safe and comfortable debonding. Some of them are available with a fissure notch or on an adaptive MIM pad. This allows you to adapt the bondable pad to the tooth anatomy.

Comfort Line 3D



Fissure notch



As delivered

After adaptation to the tooth

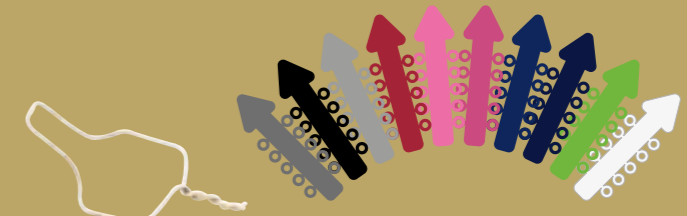
Bondable pads

Bondable pads are available in “Small”, “Large”, and “Big Foot” versions. Depending on the buccal tubes and intended use, you can also select your own combinations upon request.



- 1 Small: E.g. for second molars or crowns that have not fully erupted
- 2 Large: Standard for double and triple buccal tubes
- 3 Big Foot: Extra-large pad that can easily be adapted to the tooth contour

You can find ligatures, elastics, chains, instruments, Reliance products, and much more in our catalog.



FORESTADENT

Bernhard Förster GmbH
Westliche Karl-Friedrich-Str. 151
75172 Pforzheim (Germany)
Phone: +49 (0) 7231 459-0
Fax: +49 (0) 7231 459-102
www.forestadent.com
info@forestadent.com

FORESTADENT[®]
GERMAN PRECISION IN ORTHODONTICS