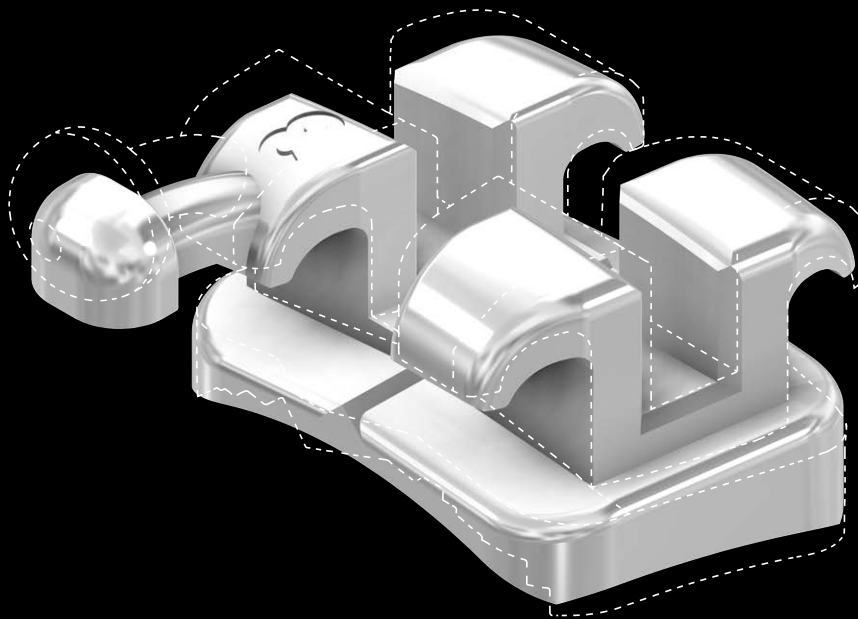


Perfection

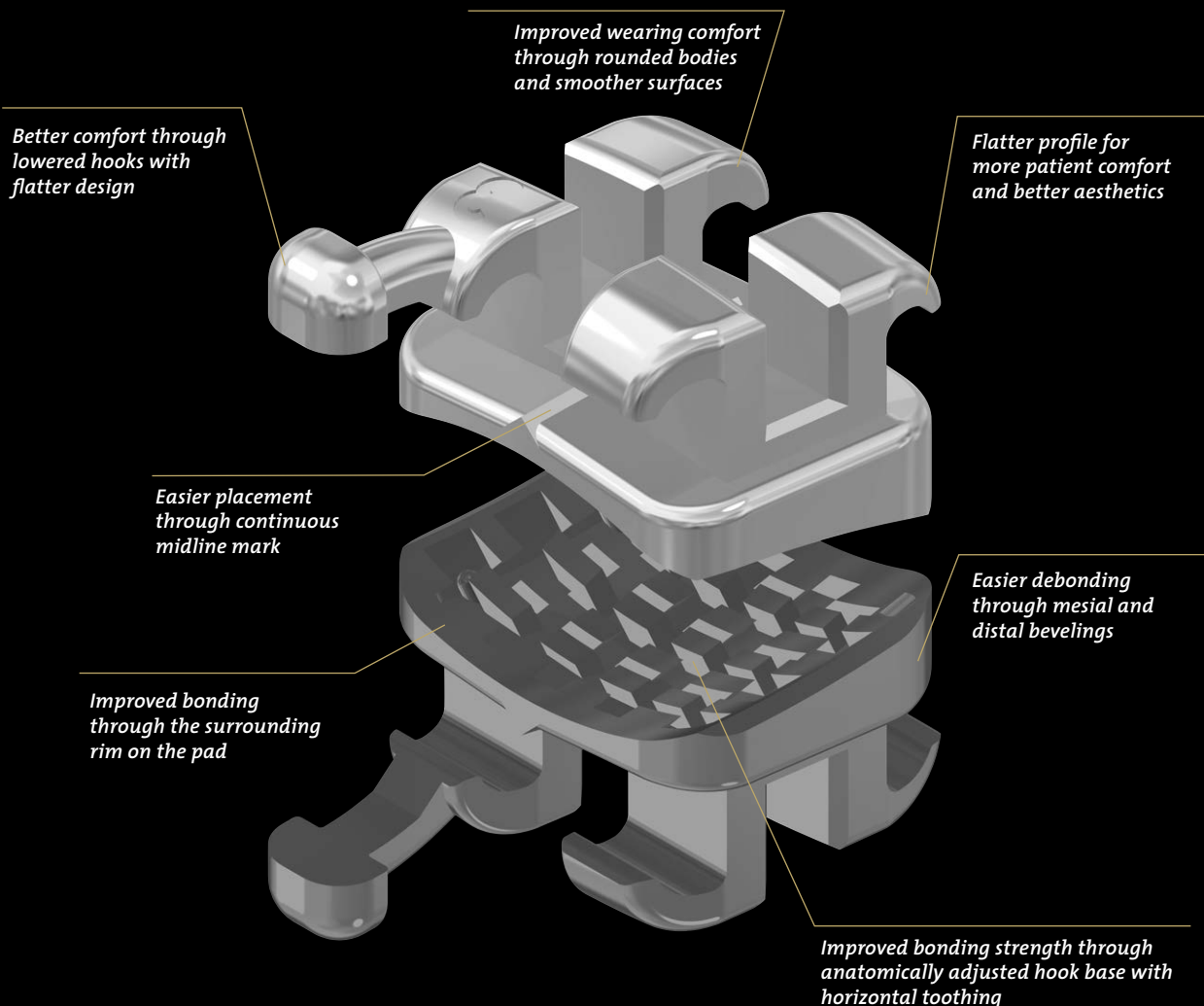
down to the smallest detail



FACE Evolution II System

Mini Sprint[®] II Brackets

The advantages at a glance



Effective orthodontics begins with bracket handling

For the practitioner there are several new advantageous features. The Mini Sprint® II was outfitted with FORESTADENT's anatomically curved hook base. This fits even better to the natural tooth contours and allows optimal adhesion due to the integrated hook style-base.

The integrated, continuous midline mark serves as an orientation and insertion guide and the circumferential edge of the pads ensure for better positioning and bonding behavior of the brackets.

At the end of the treatment, mesial and distal bevels on the pad rim ensure that the debonding pliers can securely grip the bracket and enable an easy removal of the appliance treatment apparatus.

Comfortable companion on a daily basis

People who wear brackets should barely notice them. To make this happen, we have created a flattened Mini Sprint® with labial surfaces that are even more rounded. Even the design of the hooks that are used for the optional use of elastics, were lowered in the second generation of this bracket and created in a more even and less perceptible manner.

The optimised polishing techniques have created surfaces that are even smoother. This increases the patient comfort and prevents accumulation of plaque and irritations of the mucous membranes.

Mini Sprint® II Brackets in FACE prescription

The heart of a bracket – the prescription

In order to perfectly integrate the most up-to-date bracket technologies into clinical practice, a prescription that is just as modern is necessary. A treatment concept that is based on many years of experience on the one hand and that is open to clinical advancements on the other.

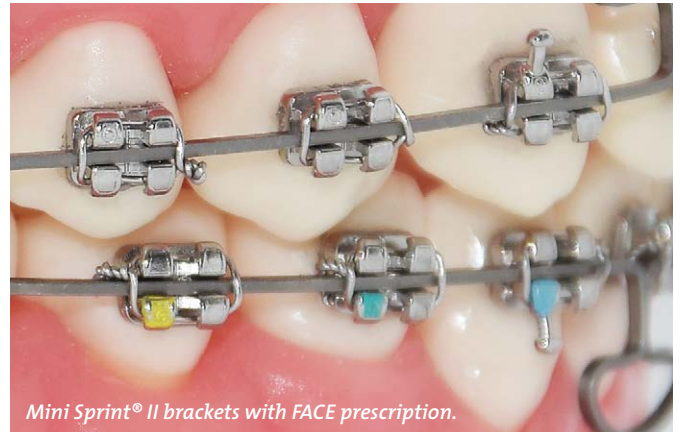
The FACE Evolution II prescription

Naturally beautiful and stable results

The team of internationally renowned orthodontists advocate a treatment approach that includes harmonising the facial and dental aesthetics in addition to optimising occlusal function. Beyond this it includes periodontal health, an orthopedically stable temporomandibular joint position, open airways and stable results.

The FACE group, which has created an update to the Roth philosophy with its FACE Evolution Prescription, has extensive experience. FACE Evolution II is now the latest version of this treatment approach. It is characterized by modified torque values of the brackets for upper and lower cuspids and premolars and also the torque of the first and second upper molars. In this way the upper fours and fives were changed from -7° to 0° and the lower premolars were changed from -17° to -12° (1st premolar) and from -22° to -17° (2nd premolar). The basis for these modifications was born from the conclusive information obtained through CBCT-scans in individuals before and after treatment. These suggested the modification of torque values in order to position the roots securely in the alveolar bone and thus avoid dehiscences and/or fenestrations and to provide stability and periodontal health. Since the roots are in their natural position in the periodontium, this leads to not only more stable, but also more aesthetic results.

The background for this adjustment is the desire to implement an anatomically optimal tooth position while also achieving a more attractive smile.



Dr. Domingo Martín



Dr. Jorge Ayala



Dr. Douglas Knight



Dr. Straty Righellis

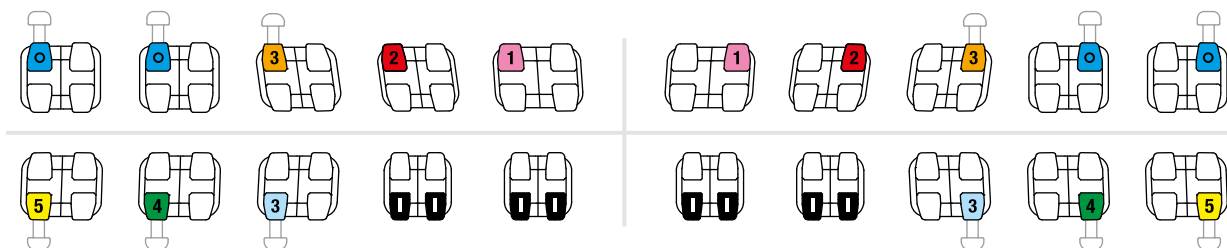
“ We see orthodontics as a discipline that has the goal of improving aesthetics as well as comprehensive oral health. We are proud to introduce you to the newest generation of Mini Sprint II brackets with the FACE Evolution II prescription.



Mini Sprint® II Brackets in FACE prescription

FACE Evolution II Prescription

Colour-marks



Maxillary						Slot .018"		Slot .022"	
Tooth	Torque	Angulation	In/Out	Rotation	Order No.		Order No.		
					Right	Left	Right	Left	
1 Centrals	+12°	+5°	1,05	–	794-0103	793-0103	794-0101	793-0101	
2 Laterals	+8°	+9°	1,25	–	794-0203	793-0203	794-0201	793-0201	
3 Cuspids	+3°	+8°	0,7	–	794-0313	793-0313	794-0311	793-0311	
	+3°	+8°	0,7	–	794-0303	793-0303	794-0301	793-0301	
4 Bicuspid	0°	0°	0,85	–	794-0533	793-0533	794-0531	793-0531	
	0°	0°	0,85	–	794-0523	793-0523	794-0521	793-0521	
5 Bicuspid	0°	0°	0,85	–	794-0533	793-0533	794-0531	793-0531	
	0°	0°	0,85	–	794-0523	793-0523	794-0521	793-0521	

Mandibular						Slot .018"		Slot .022"	
Tooth	Torque	Angulation	In/Out	Rotation	Order No.		Order No.		
					Right	Left	Right	Left	
1 Centrals	-1°	0°	1,3	–	793-1303	793-1303	793-1301	793-1301	
2 Laterals	-1°	0°	1,3	–	793-1303	793-1303	793-1301	793-1301	
3 Cuspids	-6°	+2°	0,6	–	794-1413	793-1413	794-1411	793-1411	
	-6°	+2°	0,6	–	794-1403	793-1403	794-1401	793-1401	
4 Bicuspid	-12°	0°	0,65	–	794-1533	793-1533	794-1531	793-1531	
	-12°	0°	0,65	–	794-1523	793-1523	794-1521	793-1521	
5 Bicuspid	-17°	0°	0,65	–	794-1633	793-1633	794-1631	793-1631	
	-17°	0°	0,65	–	794-1623	793-1623	794-1621	793-1621	

Cases

Variations	Slot .018"			Slot .022"		
	1	5	10	1	5	10
	706-1218	706-1219	706-1220	706-1227	706-1228	706-1229
3	706-1221	706-1222	706-1223	706-1230	706-1231	706-1232
3-5	706-1224	706-1225	706-1226	706-1233	706-1234	706-1235

Optionally higher torque on mandibular centrals and laterals

Mandibular						Slot .018"		Slot .022"	
Tooth	Torque	Angulation	In/Out	Rotation	Order No.		Order No.		
					Right	Left	Right	Left	
1+2 Centrals / Laterals	-6° *	0°	1,4	–	793-1203	793-1203	793-1201	793-1201	

*Bonding brackets upside down will convert from -6° Torque to +6° Torque. Please indicate if you prefer this option.